



## VORTEX® AU8820

### PCI-Based AC'97 Digital Audio Processor

#### BASELINE FEATURES

- Sound Blaster® and Sound Blaster Pro® compatibility
- 64 voice (32 HW/32 SW)
- Professional studio quality 32 voice wavetable synthesis
- Analog/digital gameport and MPU-401 UART
- Windows 95 drivers and installation
- 3.3V operation, 5V compatible
- Advanced power management features
- 128-pin PQFP package (20x14mm)
- Tone controls

#### VORTEX—

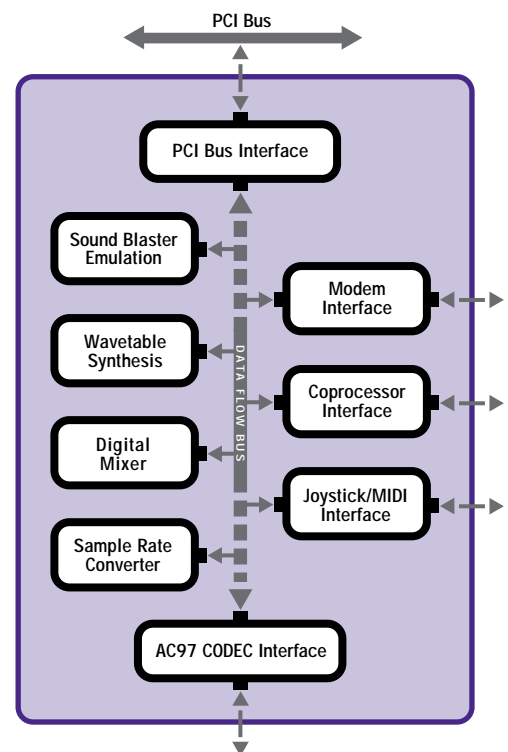
##### A Breakthrough PCI Audio Architecture

Aureal's VORTEX chip architecture is designed from the ground up to take optimal advantage of the PCI bus to deliver extremely high-quality audio processing at aggressive cost targets. VORTEX uses an innovative, dataflow hardware architecture that connects highly optimized audio processing engines on a programmable, internal digital audio dataflow bus. The resulting design offers efficiency due to the high level of silicon integration and flexibility due to the programmability of the dataflow bus.

The AU8820 is the first in a series of audio chips based on Aureal's VORTEX architecture. It can be used in multiple configurations, with or without a S/P DIF transmitter or receiver, with or without a sound coprocessor, on add-in cards or on motherboards.

#### ADVANCED FEATURES

- A3D positional audio support
- PCI bus master with 48-channel DMA interface
- AC'97 and other CODECs supported
- High-quality sample rate converter
- Digital mixer and volume control
- WDM streaming and USB ready
- Auxiliary ports
- DirectSound and DirectSound3D acceleration



The VORTEX data flow hardware architecture delivers over 300 MIPS of audio processing.



AUREAL

Aureal Semiconductor  
4245 Technology Drive  
Fremont California 94538  
Tel (510) 252-4245  
Fax (510) 252-4400  
www.aureal.com

# AU8820

## DirectSound Acceleration and WDM

New PC games use the Microsoft DirectSound standard, part of the DirectX subsystem. The AU8820 accelerates DirectSound via PCI streaming, advanced sample rate conversion, and digital mixing in hardware. The result is a dramatic increase in DirectSound playback quality and substantial reduction of host CPU loading.

The AU8820 delivers over 300 audio MIPS for sound processing, freeing up the system CPU for faster video and other tasks. Additionally, due to its programmable dataflow bus, the AU8820 is ideally suited for Microsoft's upcoming WDM driver architecture, which requires complete flexibility in routing audio streams among hardware acceleration blocks.

## Complete Legacy Support

No PC audio solution is complete without support for DOS legacy applications. The AU8820 provides hassle-free DOS audio legacy emulation (Soundblaster and Soundblaster Pro with OPL3 FM synthesis) for both Windows DOS boxes and real-mode DOS operation. The legacy emulation technology used in the AU8820 has been in production for over two years. Very high levels of DOS legacy compatibility are achieved for both motherboard and add-in card solutions, without the need for a work-around PC/PCI or D/DMA side band connection to the ISA-bus.

## Wavetable Synthesis

The AU8820's DLS-compatible 32 voice hardware wavetable synthesis engine delivers a brilliant music listening experience. It uses studio quality instrument samples and advanced algorithms, such as fourth-order interpolation and sweepable filters, previously only found in professional music synthesizers. Cost is minimized by storing the 4MB General MIDI instrument sample set in host memory rather than external RAM or ROM. An additional 32 voices can be rendered in software for a total of 64 wavetable voices.

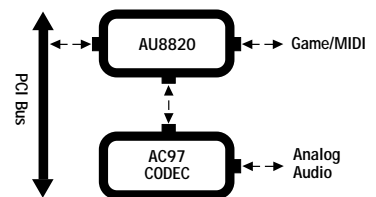
## Industry Leading 3D Audio

New 3D games are designed to take advantage of DirectSound3D to immerse players with interactive 3D sounds. Most of those games are optimized for Areal's industry leading A3D technology which supports high-quality acceleration of DirectSound3D. In conjunction with an MMX enabled host CPU, AU8820 provides A3D compatible rendering of DirectSound3D.

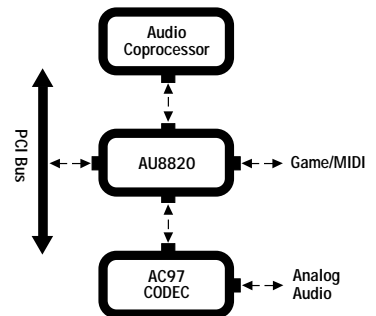
## Analog/Digital Gameport and MIDI support

The AU8820 further accelerates game play by performing remote polling of the joystick interface without CPU intervention. The MIDI interface incorporates industry-standard MPU-401 capabilities.

### AUDIO ACCELERATOR



### ADVANCED AUDIO ACCELERATOR



AUREAL

Areal Semiconductor  
4245 Technology Drive  
Fremont California 94538  
Tel (510) 252-4245  
Fax (510) 252-4400  
[www.aureal.com](http://www.aureal.com)

Contact Areal Semiconductor for more information on the AU8820 PCI-based AC'97 Digital Audio Processor.

General information about Areal, product updates, and freeware are available at our Web sites: <http://www.aureal.com> and <http://www.A3D.com>.

Areal, Areal 3D, A3D, Vortex and the Areal logo are trademarks of Areal Semiconductor Inc. Dolby Digital and AC-3 are registered trademarks of Dolby Licensing Laboratories Corp. DirectSound and DirectSound3D are trademarks of Microsoft Corp. Sound Blaster and Sound Blaster Pro are registered trademarks of Creative Laboratories, Inc. All other trademarks are owned by their respective owners.